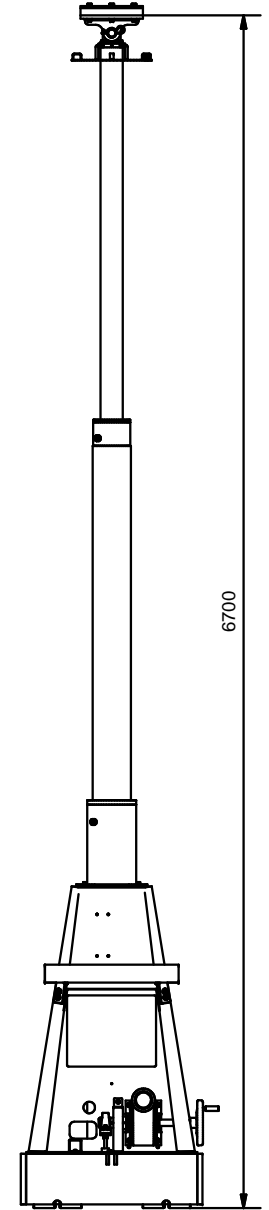
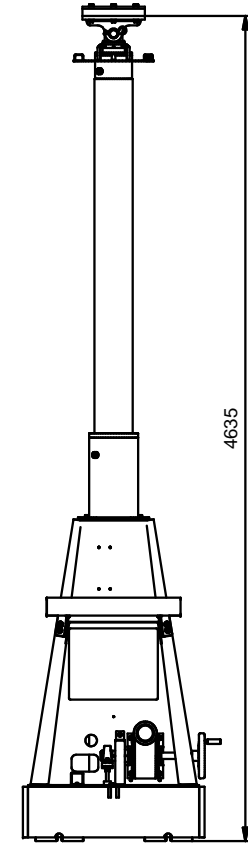
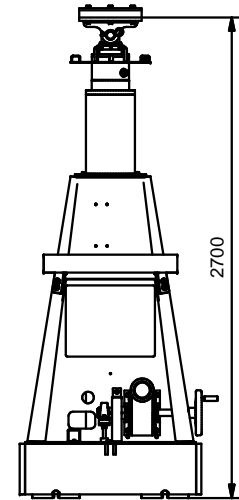
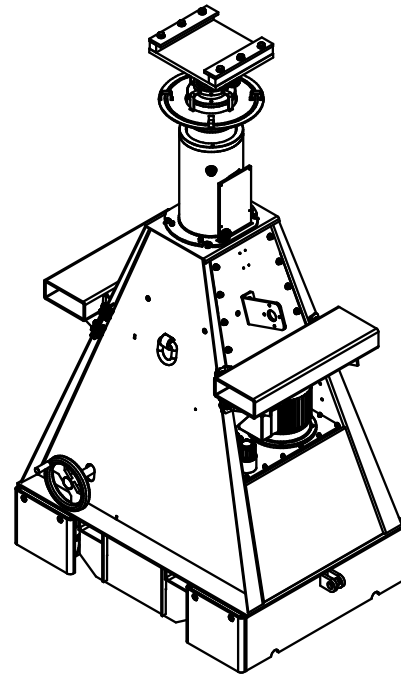
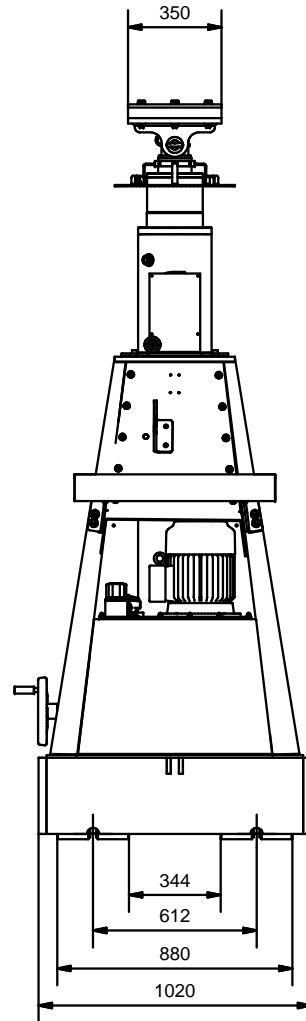
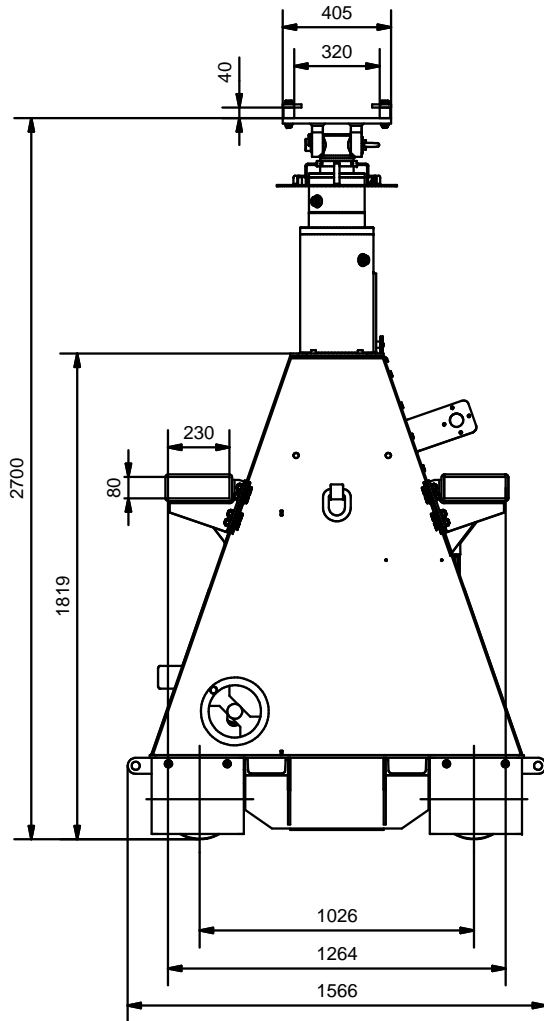


Features SL125

Safe Work Load Stage 1:	312.5 kN	(70 kips)
Safe Work Load Stage 2:	312.5 kN	(70 kips)
Self Weight (incl. oil):	2130 kg	(4696 lbs)



OPAALSTRAAT 44, 7554 TS HENGLO HOLLAND
 PO BOX 421, 7550 AK HENGLO HOLLAND
 TELEPHONE 074-2422045 FACSIMILE 074-2430338

ENERPAC 
 COPYRIGHTS RESERVED

3rd ANGLE
 PROJECTION

Model Number: **SL125**

Drawing Number: **02930.50.00.00**

Main Assembly Number: **02930.01.00.00**

REV: **0** DATE: **31-10-2013** SCALE: **1:20** FORM: **A3**